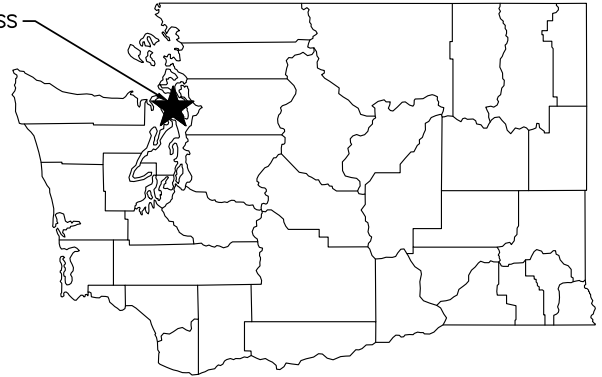
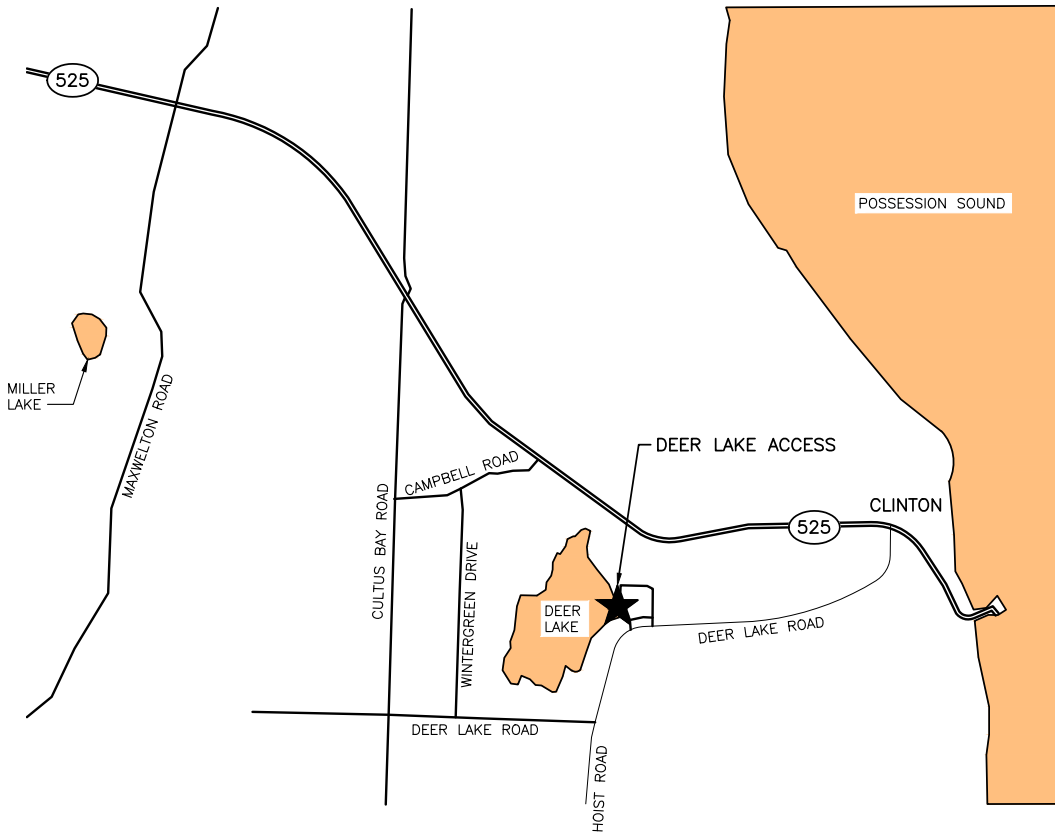




DEER LAKE ACCESS



**STATE MAP**  
NOT TO SCALE



**VICINITY MAP**  
NOT TO SCALE

ENG. PROJECT NO. IS:A607:2019-1

PORTION OF: S26,T29N,R3E

DRAWN BY: N. WHITE

REFERENCE NUMBER:

PROJECT LOCATION (ADDRESS):

PROPOSED PROJECT:

APPLICANT:

DEER LAKE ACCESS  
BUCKTAIL LANE  
CLINTON, WA 98236

**DEER LAKE**  
ACCESS REDEVELOPMENT

WASHINGTON DEPT. of FISH & WILDLIFE  
600 CAPITOL WAY N.  
OLYMPIA, WA 98501-1091

ADJACENT PROPERTY OWNER:

LAT/LONG: 42.974098 -122.379725

IN: DEER LAKE  
NEAR/AT: CLINTON

1. TIM & MELISSA MELIA

DATUM: NAVD 88

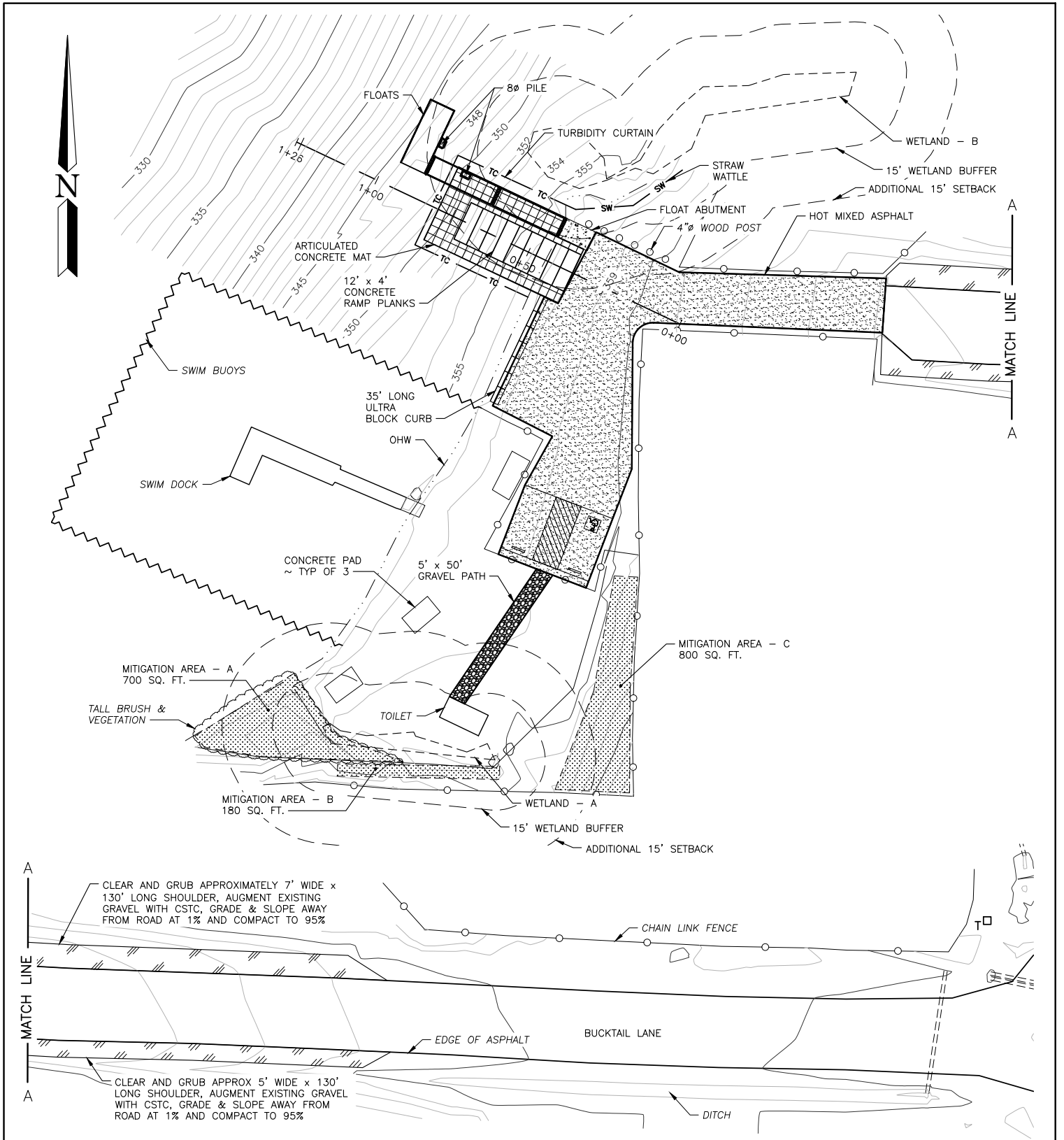
COUNTY: ISLAND

2. ROBERT & SHELLEY MARSANYI

SHEET 1 OF 10 DATE: 05-05-2021

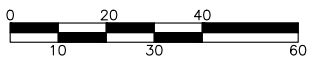
STATE: WA





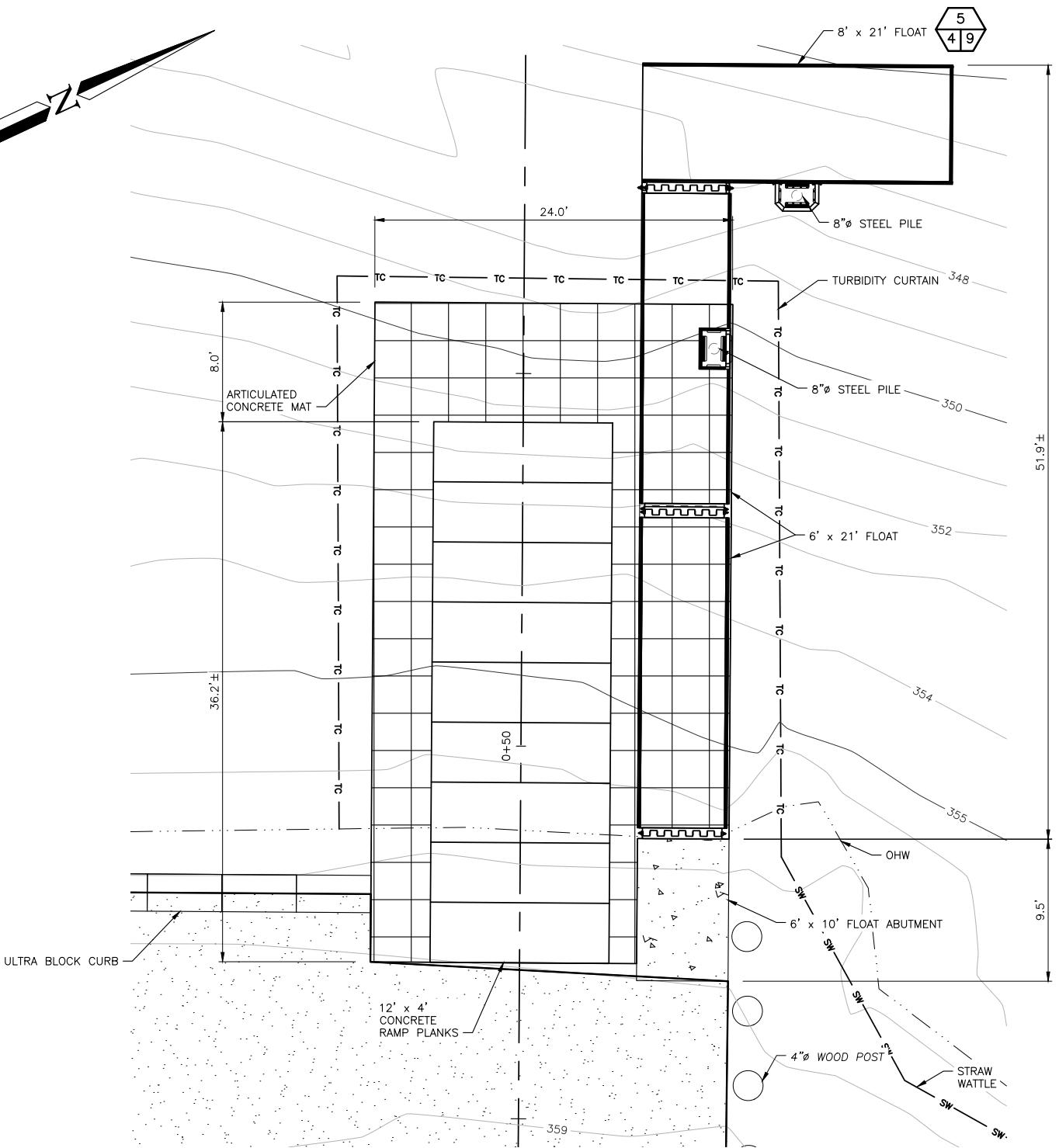
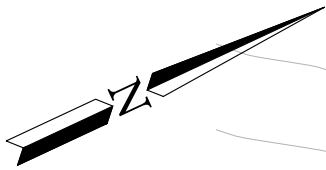
**PROPOSED WORK AREA PLAN**

SCALE: 1" = 40'

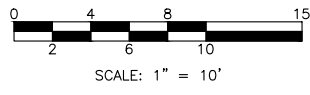


SCALE: 1" = 40'

REFERENCE NUMBER:  
 APPLICANT NAME:  
**WASHINGTON DEPT. of FISH & WILDLIFE**  
 PROPOSED PROJECT:  
**ACCESS REDEVELOPMENT**  
 LOCATION: DEER LAKE  
 SHEET 3 OF 10 DATE: 05-05-2021



**BOAT RAMP PLAN**  
SCALE: 1" = 10'



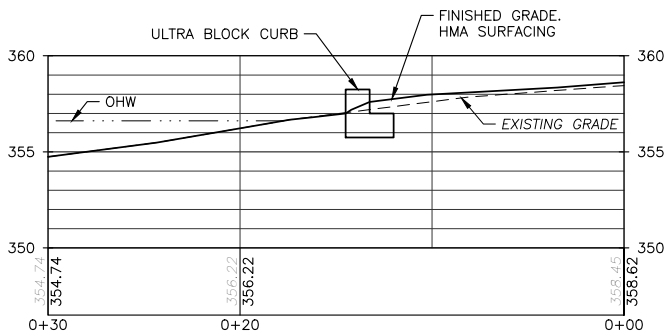
REFERENCE NUMBER:  
 APPLICANT NAME:  
**WASHINGTON DEPT. of FISH & WILDLIFE**  
 PROPOSED PROJECT:  
**ACCESS REDEVELOPMENT**  
 LOCATION: DEER LAKE  
 SHEET 4 OF 10 DATE: 05-05-2021

### OVERALL CUT AND FILL DATA CY.

MATERIAL	ABOVE OHW		BELOW OHW		SQ.FT. OF IMPACT	
	CUT	FILL	CUT	FILL	ABOVE OHW	BELOW OHW
BOAT RAMP (PLANKS & ARTICULATED MAT)	5.3	5.3	25.6	25.6	172.0	830.0
ABUTMENT CSBC	2.2	2.2	0.0	0.0	0.0	0.0
CONCRETE CURB	6.0	7.0	0.0	0.0	34.0	0.0
ABUTMENT CONCETE	3.3	3.3	0.0	0.0	60.0	0.0
HOT MIX ASPHALT	0.0	38.0	0.0	0.0	4020.0	0.0
ACCESS PATH CSBC	4.1	4.1	0.0	0.0	0.0	0.0
ACCESS PATH CSTC	0.0	1.8	0.0	0.0	240.0	0.0
SHOULDER CSTC	0.0	4.8	0.0	0.0	1560.0	0.0
<b>TOTAL</b>	<b>NET FILL 44.3 CY</b>		<b>NET 0.00</b>		<b>6086.0</b>	<b>830.0</b>

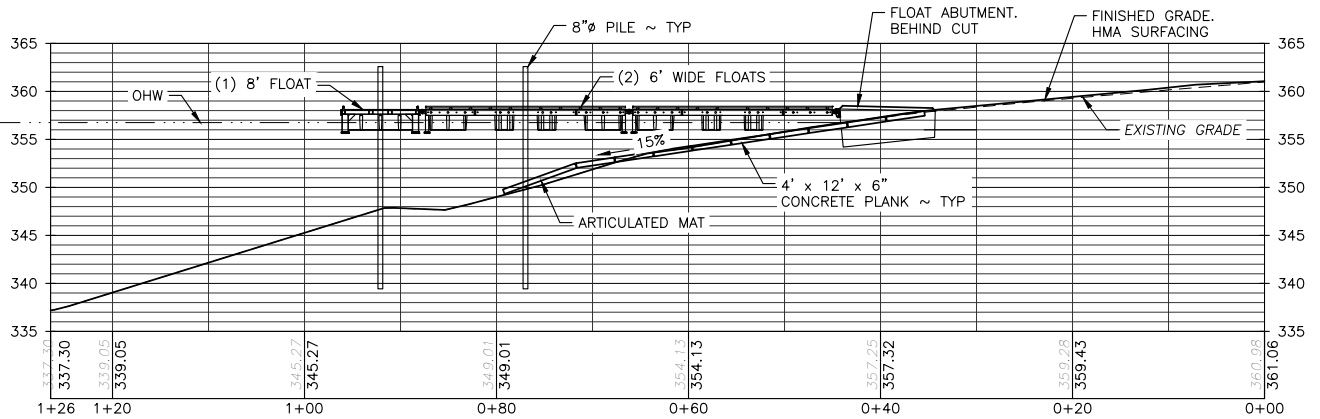
### IMPERVIOUS SURFACING

AREA	EXISTING	+/- CHANGE	PROPOSED
ASPHALT DRIVE	6495 SQ. FT.	NO CHANGE	6495 SQ. FT.
GRAVEL SHOULDERS	1560 SQ. FT.	NO CHANGE	1560 SQ. FT.
BOAT RAMP	20 SQ. FT.	+152	172 SQ. FT.
GRAVEL PARKING	4612 SQ. FT.	-4020	592 SQ. FT.
PROPOSED ASPHALT PARKING	-	+4020	4020 SQ. FT.
PROPOSED ACCESS PATH	-	+240	240 SQ. FT.
PROPOSED CURB	-	+34	34 SQ. FT.
PROPOSED CONCRETE ABUTMENT	-	+60	60 SQ. FT.
<b>TOTALS</b>	<b>12687 SQ. FT.</b>	<b>+486</b>	<b>13173 SQ. FT.</b>
PERCENTAGE CHANGE	3.8 % INCREASE		



### CURB PROFILE

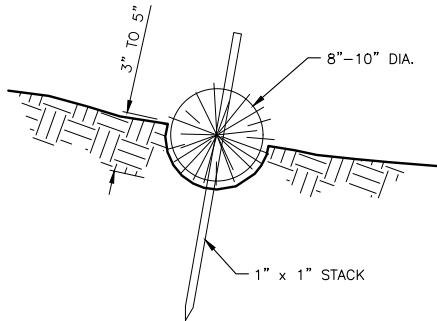
SCALE: 1" = 10'



### RAMP PROFILE

SCALE: 1" = 20'

REFERENCE NUMBER:  
 APPLICANT NAME:  
 WASHINGTON DEPT. of FISH & WILDLIFE  
 PROPOSED PROJECT:  
 ACCESS REDEVELOPMENT  
 LOCATION: DEER LAKE  
 SHEET 5 OF 10 DATE: 05-05-2021



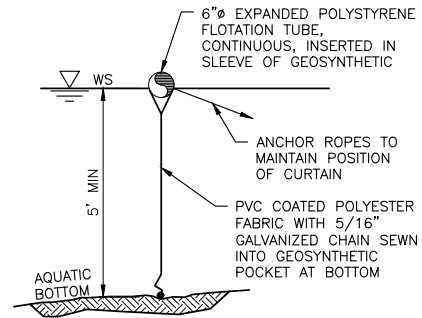
### STRAW WATTLE DETAIL

NOT TO SCALE



#### CONSTRUCTION SPECIFICATIONS:

1. PREPARE THE SLOPE BEFORE THE WATTLEING PROCEDURE IS STARTED.
2. SHALLOW GULLIES SHOULD BE SMOOTHED AS WORK PROGRESSES.
3. DIG SMALL TRENCHES ACROSS THE SLOPE ON CONTOUR, TO PLACE ROLLS IN. THE TRENCH SHOULD BE DEEP ENOUGH TO ACCOMMODATE HALF THE THICKNESS OF THE ROLL. WHEN THE SOIL IS LOOSE AND UNCOMPACTED, THE TRENCH SHOULD BE DEEP ENOUGH TO BURY THE ROLL 2/3 OF ITS THICKNESS BECAUSE THE GROUND WILL SETTLE.
4. IT IS CRITICAL THAT ROLLS ARE INSTALLED PERPENDICULAR TO WATER MOVEMENT, PARALLEL TO THE SLOPE CONTOUR.
5. START BUILDING TRENCHES AND INSTALL ROLLS FROM THE BOTTOM OF THE SLOPE AND WORK UP.
6. CONSTRUCT TRENCHES AT CONTOUR INTERVALS OF 3-12 FEET APART DEPENDING ON STEEPNESS OF SLOPE, THE STEEPER THE SLOPE, THE CLOSER TOGETHER THE TRENCHES. 1:1=10' 2:1=20' 3:1=30' 4:1=40'
7. LAY THE ROLL ALONG THE TRENCHES FITTING IT SNUGLY AGAINST THE SOIL. MAKE SURE NO GAPS EXIST BETWEEN THE SOIL AND THE STRAW WATTLE.
8. USE A STRAIGHT BAR TO DRIVE HOLES THROUGH THE WATTLE AND INTO THE SOIL FOR THE WILLOW OR WOODEN STAKES.
9. DRIVE THE STAKE THROUGH PREPARED HOLE INTO SOIL. LEAVE ONLY 1 OR 2 INCHES OF STAKE EXPOSED ABOVE ROLL.
10. IF USING WILLOW STAKES REFER TO LIVE STAKING BEST MANAGEMENT PRACTICES.
11. INSTALL STAKES AT LEAST EVERY 4 FEET APART THROUGH THE WATTLE. ADDITIONAL STAKES MAY BE DRIVEN ON THE DOWNSLOPE SIDE OF THE TRENCHES ON HIGHLY EROSION OR VERY STEEP SLOPES.
12. INSPECT THE STRAW ROLLS AND THE SLOPES AFTER SIGNIFICANT STORMS. MAKE SURE THE ROLLS ARE IN CONTACT WITH THE SOIL.
13. REPAIR ANY RILLS OR GULLYS PROMPTLY.
14. RESEED OR REPLANT VEGETATION IF NECESSARY UNTIL THE SLOPE IS STABILIZED.



### TURBIDITY CURTAIN

NOT TO SCALE



#### NOTES:

1. FABRIC IS 22 OUNCES PER YARD SQUARED

REFERENCE NUMBER:

APPLICANT NAME:

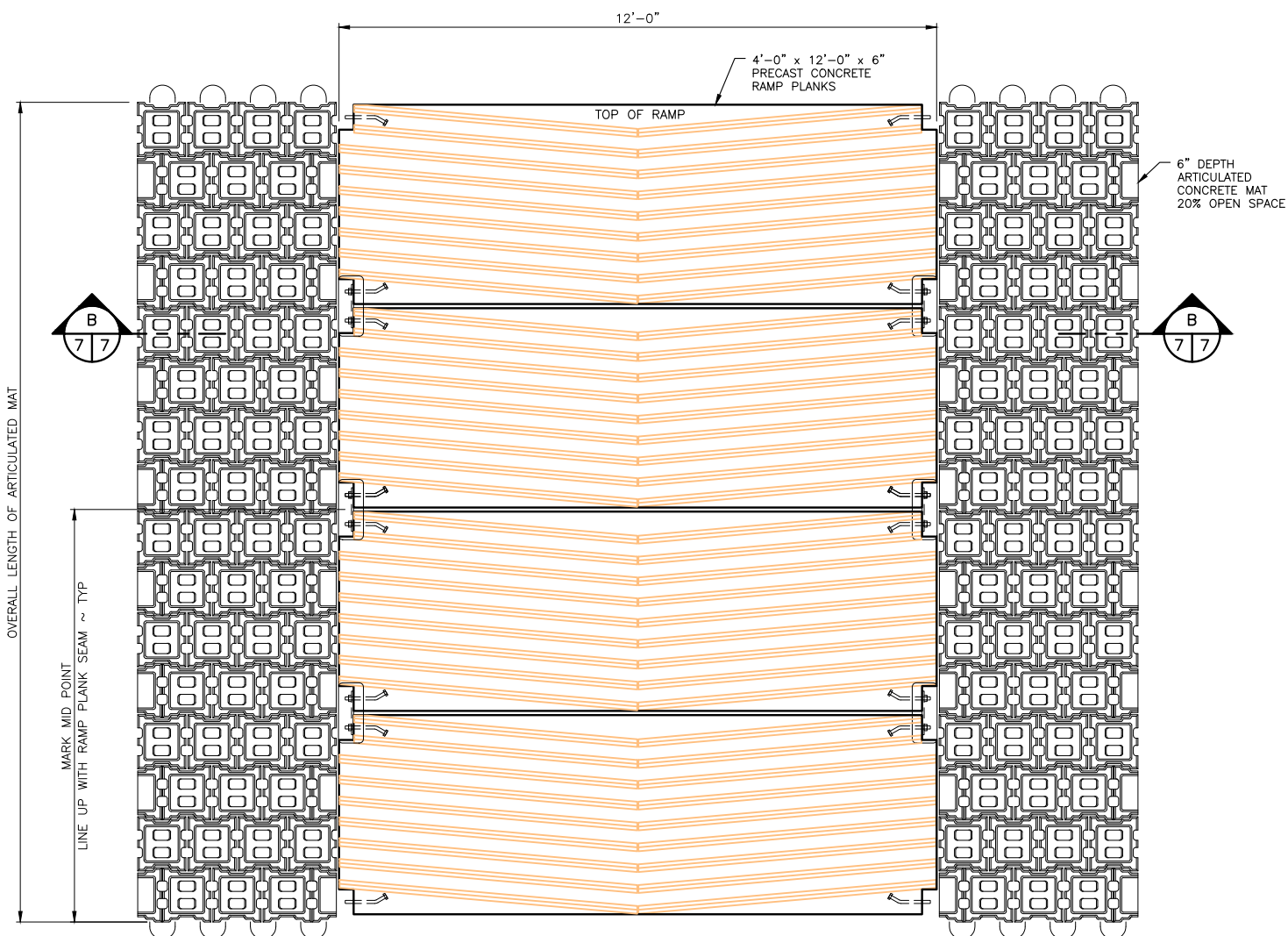
WASHINGTON DEPT. of FISH & WILDLIFE

PROPOSED PROJECT:

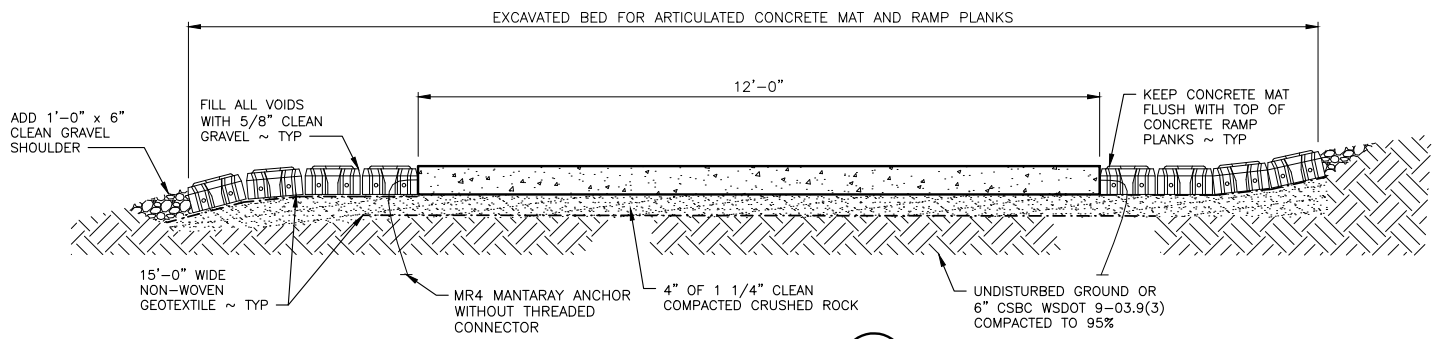
ACCESS REDEVELOPMENT

LOCATION: DEER LAKE

SHEET 6 OF 10 DATE: 05-05-2021



**TYPICAL RAMP PLANK PLAN**  
SCALE: 1" = 1'-0"



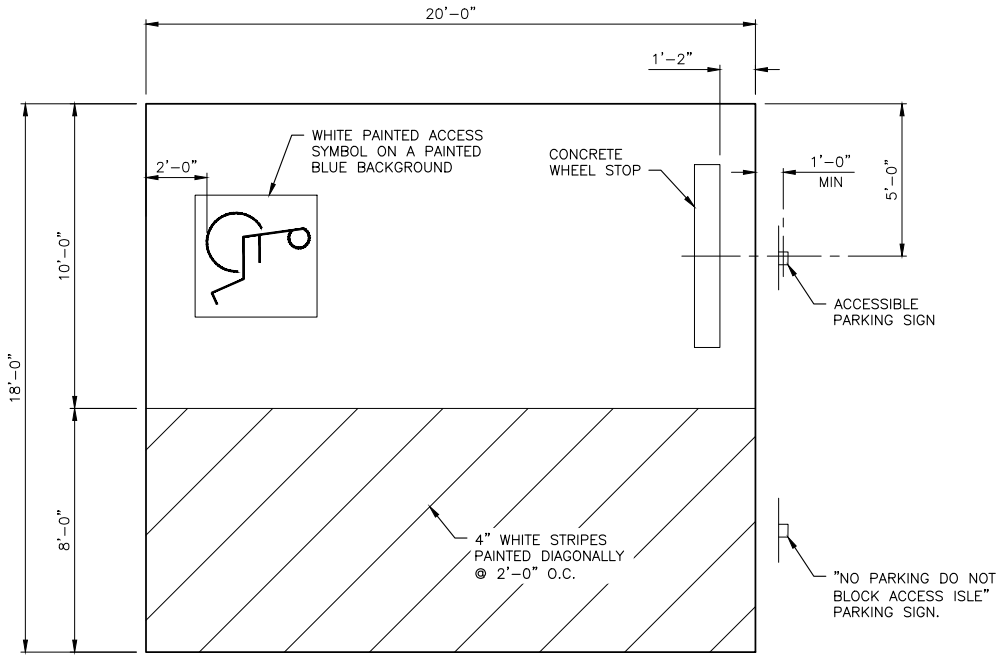
**RAMP PLANK**  
NOT TO SCALE



**NOTE:**

SEE SITE PLAN FOR SIZE AND LAYOUT OF ARTICULATED CONCRETE MATS

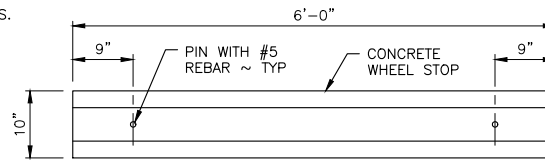
REFERENCE NUMBER:  
 APPLICANT NAME:  
**WASHINGTON DEPT. of FISH & WILDLIFE**  
 PROPOSED PROJECT:  
**ACCESS REDEVELOPMENT**  
 LOCATION: DEER LAKE  
 SHEET 7 OF 10 DATE: 05-05-2021



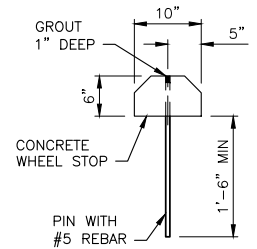
**VAN ACCESSIBLE PARKING AREA**

NOT TO SCALE

NOTE: 2% MAXIMUM SLOPE IN ALL DIRECTIONS.



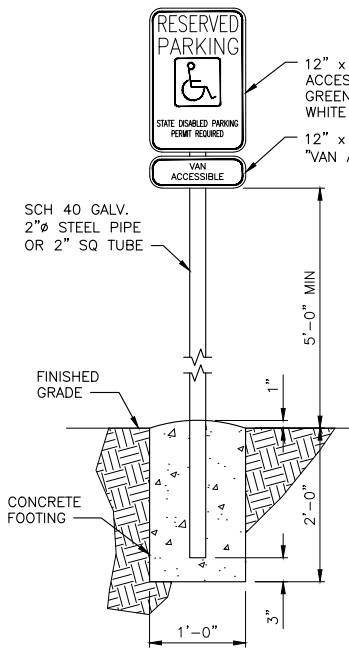
PLAN



SECTION

**CONCRETE WHEEL STOP**

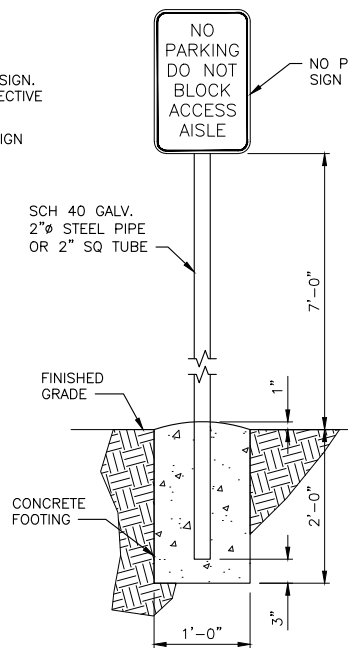
NOT TO SCALE



**ACCESSIBLE PARKING SIGN**

NOT TO SCALE

NOTE: USE TAMPER RESISTANT NUTS TO ATTACH SIGNS TO POST.



**NO PARKING SIGN**

NOT TO SCALE

NOTE: USE TAMPER RESISTANT NUTS TO ATTACH SIGNS TO POST.

REFERENCE NUMBER:

APPLICANT NAME:

WASHINGTON DEPT. of FISH & WILDLIFE

PROPOSED PROJECT:

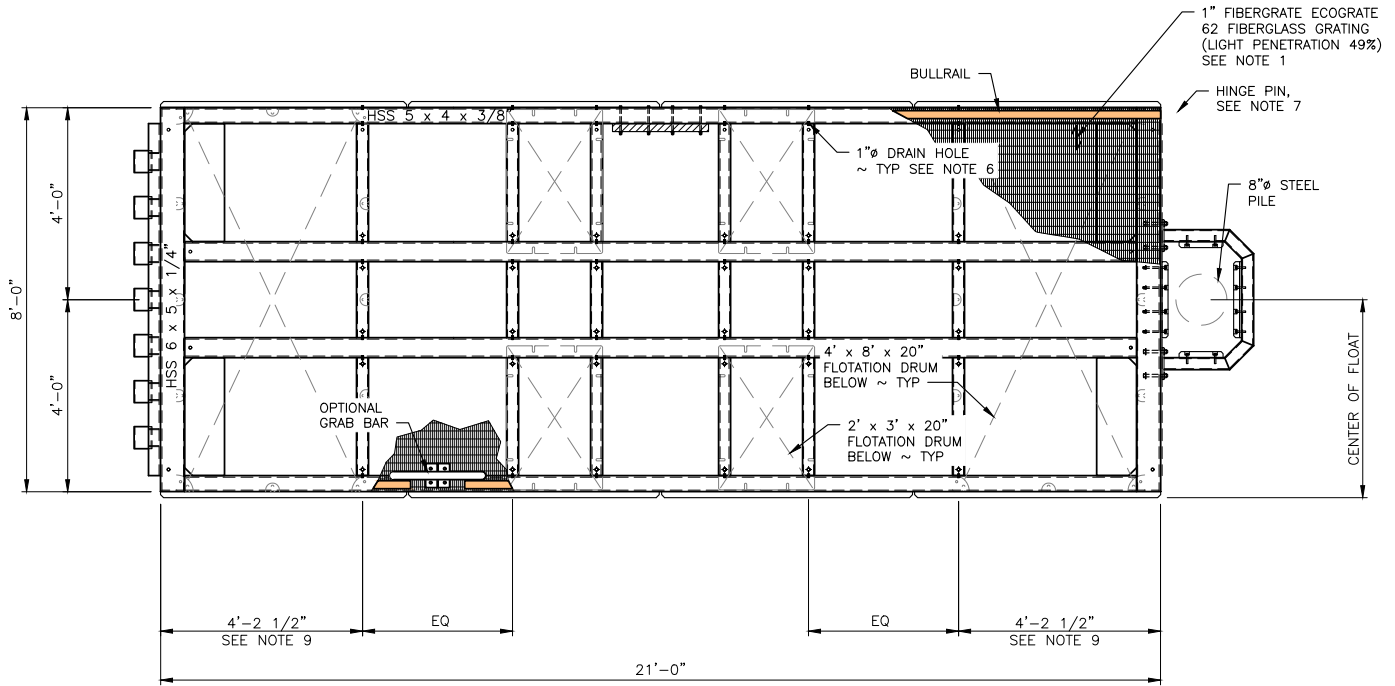
ACCESS REDEVELOPMENT

LOCATION: DEER LAKE

SHEET 8 OF 10

DATE: 05-05-2021





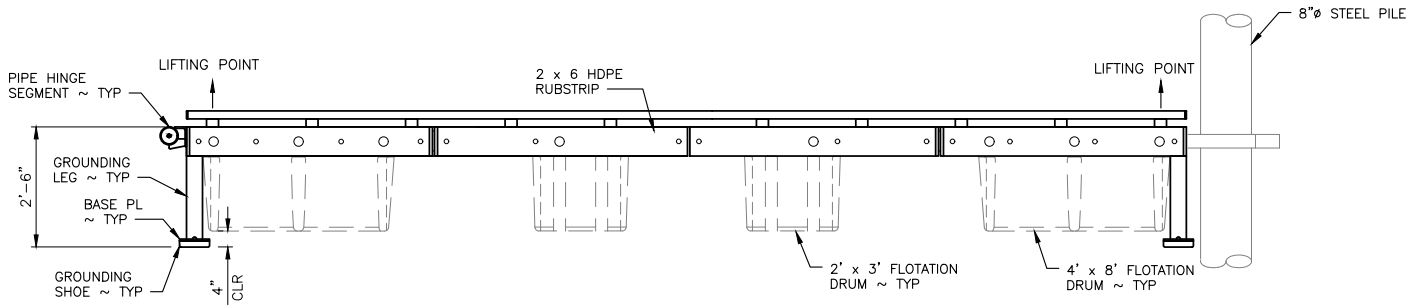
### 8' WIDE INTERIOR PILE FLOAT PLAN

SCALE: 1/4" = 1'-0"



**NOTE:** BULLRAIL, SCUPPER BLOCKS, WEEP HOLES, GROUNDING LEGS NOT SHOWN FOR CLARITY.

\* DIMENSION BASED ON FLOAT DRUM MANUFACTURER-PROVIDED INFORMATION CONTRACTOR TO VERIFY AS-BUILT FLOAT DRUM DIMENSIONS



### ELEVATION

SCALE: 1/4" = 1'-0"



#### NOTES:

1. SECURE GRATING IN ACCORDANCE WITH TECHNICAL SPECIFICATIONS. EACH GRATING PANEL IS TO BE FULLY SUPPORTED ON ALL FOUR EDGES.
2. FLOAT FRAME TO BE HOT DIP GALVANIZED AFTER FABRICATION. CONTRACTOR TO PROVIDE REQUIRED DRAIN HOLES. PROPOSED DRAIN HOLE LOCATIONS ARE SHOWN. SHOW ALL DRAIN HOLE LOCATIONS IN FLOAT SHOP DRAWINGS.
3. FIELD-LEVEL FLOAT WITH COUNTERWEIGHTS. CONTRACTOR TO PROVIDE (6) PL 1/2" x 4" x 2'-0" PER FLOAT MODULE. COUNTERWEIGHT ASSEMBLY SHALL BE SECURED WITH FOUR 3/4" THRU BOLTS. PROVIDE RECESS IN RUB STRIP TO ACCOMMODATE THRU BOLT HEAD.
4. HDPE RUB STRIP, MAX 5'-6" LENGTH, PROVIDE 3/4" CHAMFER AT ENDS, 1/2" GAP BETWEEN SEGMENTS, COLOR LIGHT GRAY.
5. PROVIDE 3/8" WEEP HOLES AT THE UNDERSIDE OF EACH END OF EACH HORIZONTAL CROSS-BEAM TO PREVENT MEMBERS FROM HOLDING WATER.
6. PROVIDE 1" VENT HOLES IN SIDES OF HSS MEMBERS INSIDE OF CONNECTING TUBE TO FACILITATE COMPLETE DRAINING DURING HOT DIP GALVANIZING, CENTERED IN HSS 5x.
7. HINGE PIN TO BE SECURED WITH A DOUBLE-JAM NUT (DO NOT OVER-TIGHTEN, PREVENT GALLING), AND SHALL BE FREE TO ROTATE AFTER INSTALLATION. THE END OF THE HINGE PIN IS TO HAVE A 30 DEGREE BEVEL, WITH A 1/4" DIAMETER ROUNDED END TO FACILITATE INSERTION INTO THE HINGE BUSHINGS. HINGE PIN IS TO HAVE A HOLE AND 1/4" 316SS COTTER PIN EACH END.

REFERENCE NUMBER:

APPLICANT NAME:

WASHINGTON DEPT. of FISH & WILDLIFE

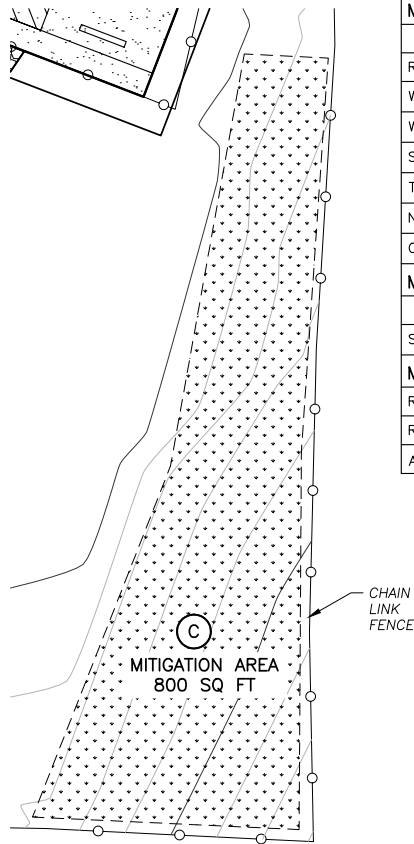
PROPOSED PROJECT:

ACCESS REDEVELOPMENT

LOCATION: DEER LAKE

SHEET 9 OF 10

DATE: 05-05-2021



**MITIGATION AREA – C PLAN**

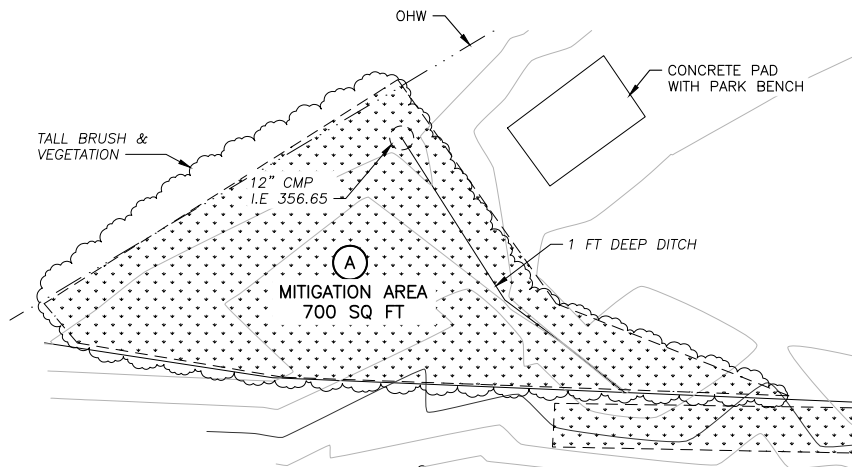
SCALE: 1" = 16'

**NOTE:**

1. REMOVE ENGLISH IVY ALONG FENCE LINE AND ON THE GROUND, INCLUDING HIMALAYAN BLACKBERRY.
2. LEAVE NATIVE TREE SAPLINGS.
3. COVER AREA WITH FINE BARK MULCH – 8" DEPTH, TO REDUCE WEEDS FROM RE-ESTABLISHING.

PLANTING SCHEDULE				
<b>MITIGATION AREA A – 700 SF</b>				
SPECIES	SIZE	QUANTITY	SPACING	REMARKS
REMOVE INVASIVE SPECIES: HIMALAYAN BLACKBERRY, ENGLISH HOLLY, ENGLISH LAUREL, JAPANESE KNOTWEED, ENGLISH IVY				
WESTERN HEMLOCK (TSUGA HETEROPHYLLA)	≥1 GAL	5	10 FT OC	MOIST–WET, PART SHADE–SHADE
WESTERN RED CEDAR (THUJA PLICATA)	≥1 GAL	5	10 FT OC	MOIST–WET, PART SHADE–SHADE
SALMON BERRY (RUBUS SPECTABILIS)	1 GAL	10	4 FT OC	MOIST–WET, SUN–SHADE
THIMBLEBERRY (RUBUS PARVIFLORUS)	1 GAL	10	4 FT OC	DRY–MOIST, SUN–SHADE
NOOTKA ROSE (ROSA NOOTKANA)	1 GAL	10	4 FT OC	DRY–WET, SUN–PART SHADE
OCEANSPRAY (HOLODISCUS DISCOLOR)	1 GAL	10	4 FT OC	DRY–MOIST, SUN–PART SHADE
<b>MITIGATION AREA B – 180 SF</b>				
SPECIES	SIZE	QUANTITY	SPACING	REMARKS
SCOULER'S WILLOW (SALIX SCOULERIANA)	LIVE STAKES	20	3 FT OC	DRY–MOIST, SUN–PART SHADE
<b>MITIGATION AREA C – 800 SF</b>				
REMOVE INVASIVE SPECIES: HIMALAYAN BLACKBERRY, ENGLISH IVY				
RETAIN: NATIVE PLANT SPECIES – CONIFER SAPLINGS, SALMONBERRY, RUSHES, FERNS, ETC.				
ADD: 8" DEPTH OF FINE BARK MULCH TO AREA TO PREVENT INVASIVE PLANT REGROWTH				

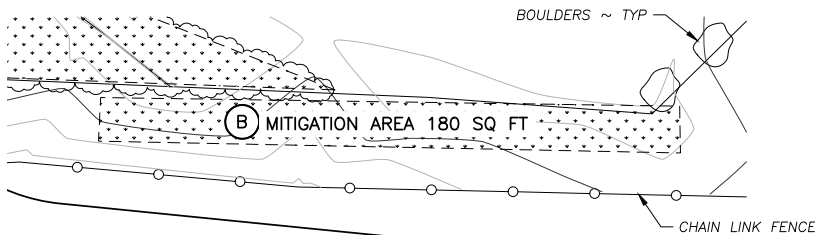
**NOTE:** ALL DISTURBED AREAS SHALL BE REPLANTED OR SEEDED AS INDICATED AND/OR DIRECTED BY WDFW PROJECT MANAGER.



**MITIGATION AREA – A**

SCALE: 1" = 16'

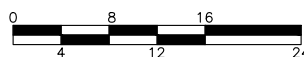
**NOTE:** REMOVE INVASIVE PLANT SPECIES AND PLANT WITH NATIVE PLANT SPECIES



**MITIGATION AREA – B**

SCALE: 1" = 16'

**NOTE:** PLANT WITH NATIVE PLANT SPECIES SHOWN IN PLANTING SCHEDULE.



SCALE: 1" = 16'

REFERENCE NUMBER:  
 APPLICANT NAME:  
 WASHINGTON DEPT. of FISH & WILDLIFE  
 PROPOSED PROJECT:  
 ACCESS REDEVELOPMENT  
 LOCATION: DEER LAKE  
 SHEET 10 OF 10 DATE: 05-05-2021