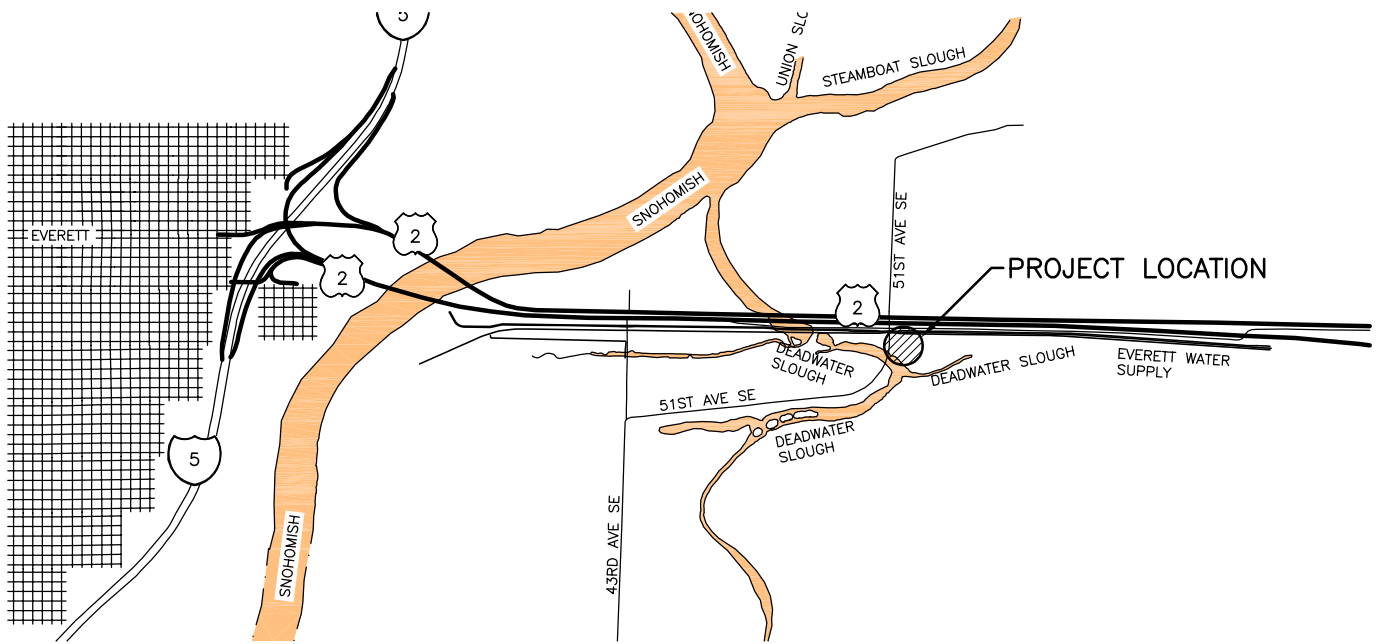


STATE MAP
NOT TO SCALE



VICINITY MAP
NOT TO SCALE

DIRECTIONS
FROM EVERETT, HEAD EAST ON HEWITT AVE. TOWARD I-5 HEWITT AVE. TAKE ONRAMP ONTO US-2 EAST. APPROX. 2 MILES TAKE EXIT TOWARD EBHEY ISLAND/HOMEACRES RD. RAMP TURNS INTO 20TH ST SE. CONTINUE ON 20 ST SE TO 51ST AVE SE. TURN RIGHT ON 51ST AVE SE. SITE LOCATED ON LEFT SIDE OF 51ST AVE SE AT CORNER.

ENG. PROJECT NO. SH:R134:2019-2

PORTION OF: SEC.27,T29N,R5E

DRAWN BY: D.HENNING

REFERENCE NUMBER:

APPLICANT:
WASHINGTON DEPT. of FISH & WILDLIFE
600 CAPITOL WAY N.
OLYMPIA, WA 98501-1091

ADJACENT PROPERTY OWNER:

- 1.
- 2.

PROJECT LOCATION (ADDRESS):

EBHEY ISLAND
EVERETT WA

LAT/LONG: 47.977784/-122.162009

DATUM: NAVD88

SHEET 1 OF 14 DATE: 05/10/2021

PROPOSED PROJECT:

EBHEY ISLAND
ACCESS PROJECT

IN: DEADWATER SLOUGH

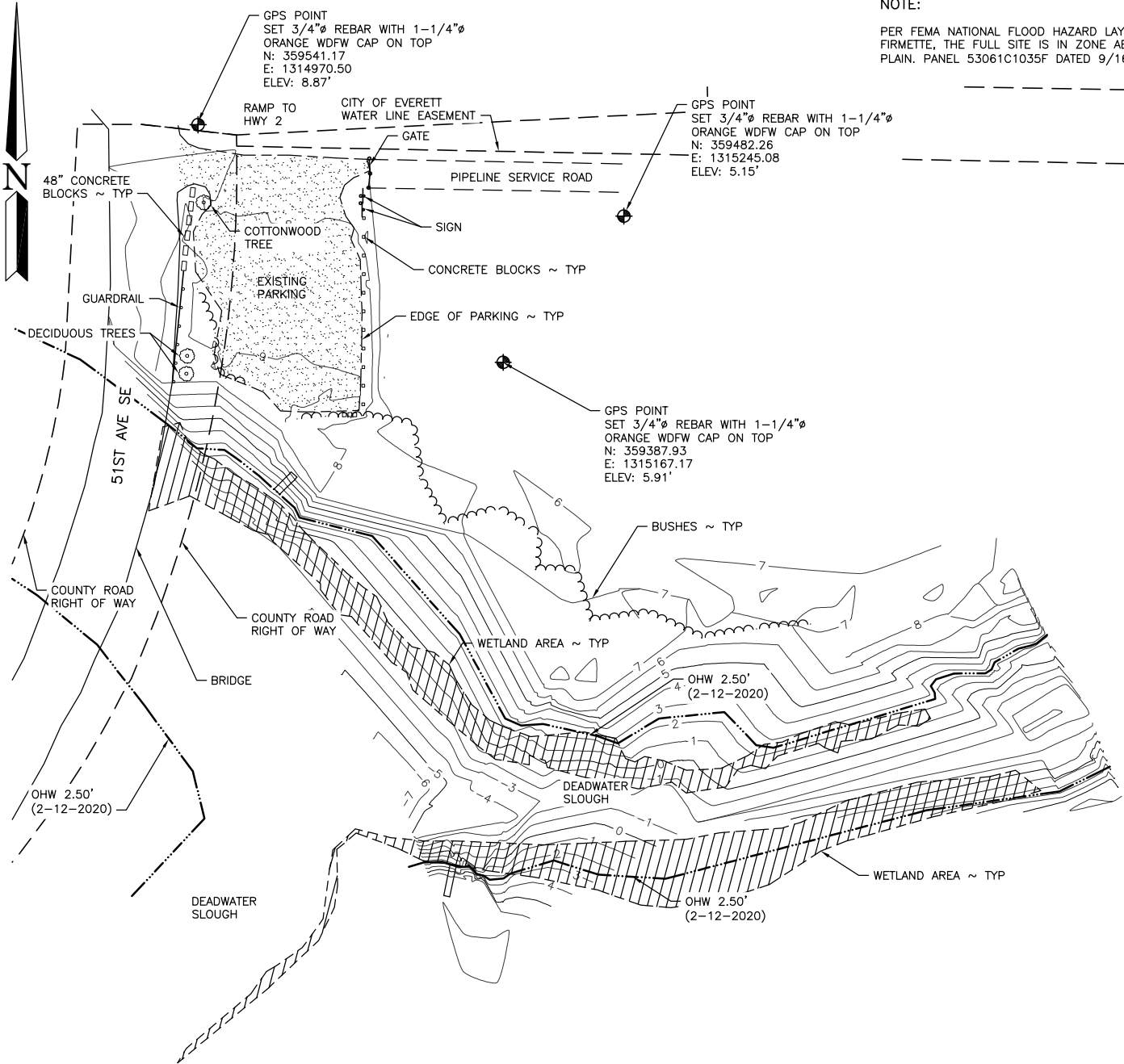
NEAR/AT: EVERETT

COUNTY: SNOHOMISH

STATE: WA

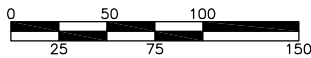
NOTE:

PER FEMA NATIONAL FLOOD HAZARD LAYER FIRMETTE, THE FULL SITE IS IN ZONE AE FLOOD PLAIN. PANEL 53061C1035F DATED 9/16/2005.



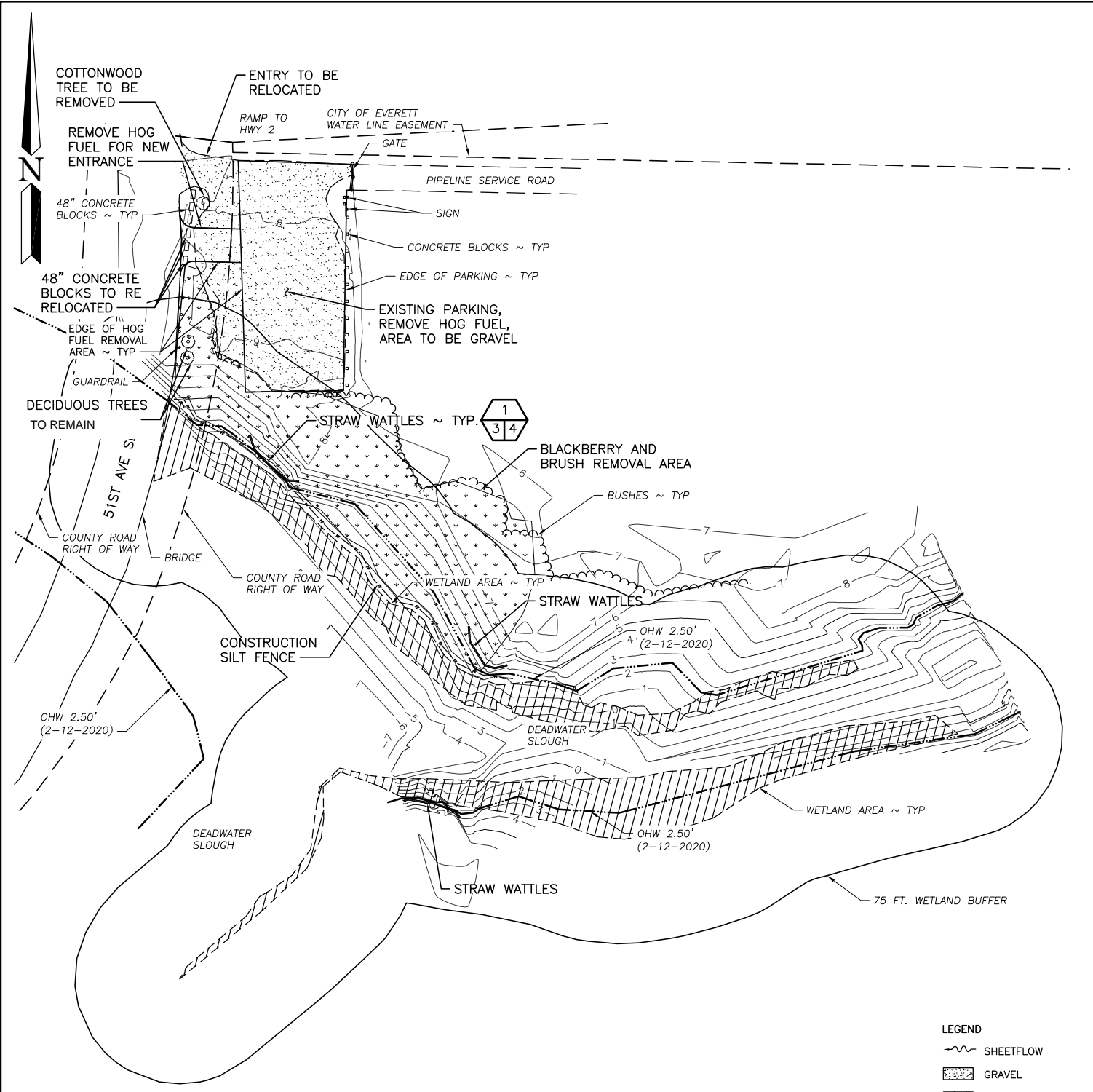
EXISTING SITE PLAN

SCALE: 1" = 100'



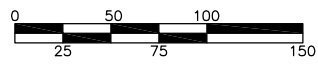
SCALE: 1" = 100'

REFERENCE NUMBER:
 APPLICANT NAME:
 WASHINGTON DEPT. of FISH & WILDLIFE
 PROPOSED PROJECT:
 EBAY ISLAND ACCESS PROJECT
 LOCATION: EVERETT, WA
 SHEET 2 OF 14 DATE: 05/10/2021



DEMOLITION AND EROSION PLAN

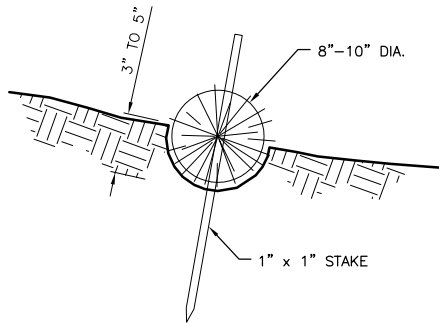
SCALE: 1" = 100'



SCALE: 1" = 100'

- LEGEND**
- SHEETFLOW
 - GRAVEL
 - WETLAND AREA
 - BLACKBERRY/BRUSH REMOVAL

REFERENCE NUMBER:
 APPLICANT NAME:
 WASHINGTON DEPT. of FISH & WILDLIFE
 PROPOSED PROJECT:
 EBHEY ISLAND ACCESS PROJECT
 LOCATION: EVERETT, WA
 SHEET 3 OF 14 DATE: 05/10/2021



STRAW WATTLE DETAIL

NOT TO SCALE

CONSTRUCTION SPECIFICATIONS:

1. PREPARE THE SLOPE BEFORE THE WATTLING PROCEDURE IS STARTED.
2. SMOOTH SHALLOW GULLIES AS WORK PROGRESSES.
3. DIG SMALL TRENCHES ACROSS THE SLOPE ON CONTOUR, TO PLACE ROLLS IN. THE TRENCH SHOULD BE DEEP ENOUGH TO ACCOMMODATE HALF THE THICKNESS OF THE ROLL. WHEN THE SOIL IS LOOSE AND UNCOMPACTED, THE TRENCH SHOULD BE DEEP ENOUGH TO BURY THE ROLL 2/3 OF ITS THICKNESS BECAUSE THE GROUND WILL SETTLE.
4. ROLLS SHALL BE INSTALLED PERPENDICULAR TO WATER MOVEMENT, PARALLEL TO THE SLOPE CONTOUR.
5. BUILD TRENCHES AND INSTALL ROLLS FROM THE BOTTOM OF THE SLOPE AND WORK UP.
6. CONSTRUCT TRENCHES AT CONTOUR INTERVALS 3-12 FEET APART DEPENDING ON STEEPNESS OF SLOPE. THE STEEPER THE SLOPE, THE CLOSER TOGETHER THE TRENCHES. 1:1=10' 2:1=20' 3:1=30' 4:1=40'
7. LAY THE ROLL ALONG THE TRENCHES FITTING IT SNUGLY AGAINST THE SOIL. MAKE SURE NO GAPS EXIST BETWEEN THE SOIL AND THE STRAW WATTLE.
8. USE A STRAIGHT BAR TO DRIVE HOLES THROUGH THE WATTLE AND INTO THE SOIL FOR THE WILLOW OR WOODEN STAKES.
9. DRIVE THE STAKE THROUGH PREPARED HOLE INTO SOIL. LEAVE ONLY 1 OR 2 INCHES OF STAKE EXPOSED ABOVE ROLL.
10. IF USING WILLOW STAKES REFER TO LIVE STAKING BEST MANAGEMENT PRACTICES.
11. INSTALL STAKES AT LEAST EVERY 4 FEET APART THROUGH THE WATTLE. ADDITIONAL STAKES MAY BE DRIVEN ON THE DOWNSLOPE SIDE OF THE TRENCHES ON HIGHLY EROSION PRONE OR VERY STEEP SLOPES.
12. INSPECT THE STRAW ROLLS AND THE SLOPES AFTER SIGNIFICANT STORMS. MAKE SURE THE ROLLS ARE IN CONTACT WITH THE SOIL.
13. REPAIR ANY RILLS OR GULLIES PROMPTLY.
14. RESEED OR REPLANT VEGETATION IF NECESSARY UNTIL SLOPES ARE STABILIZED.

REFERENCE NUMBER:

APPLICANT NAME:

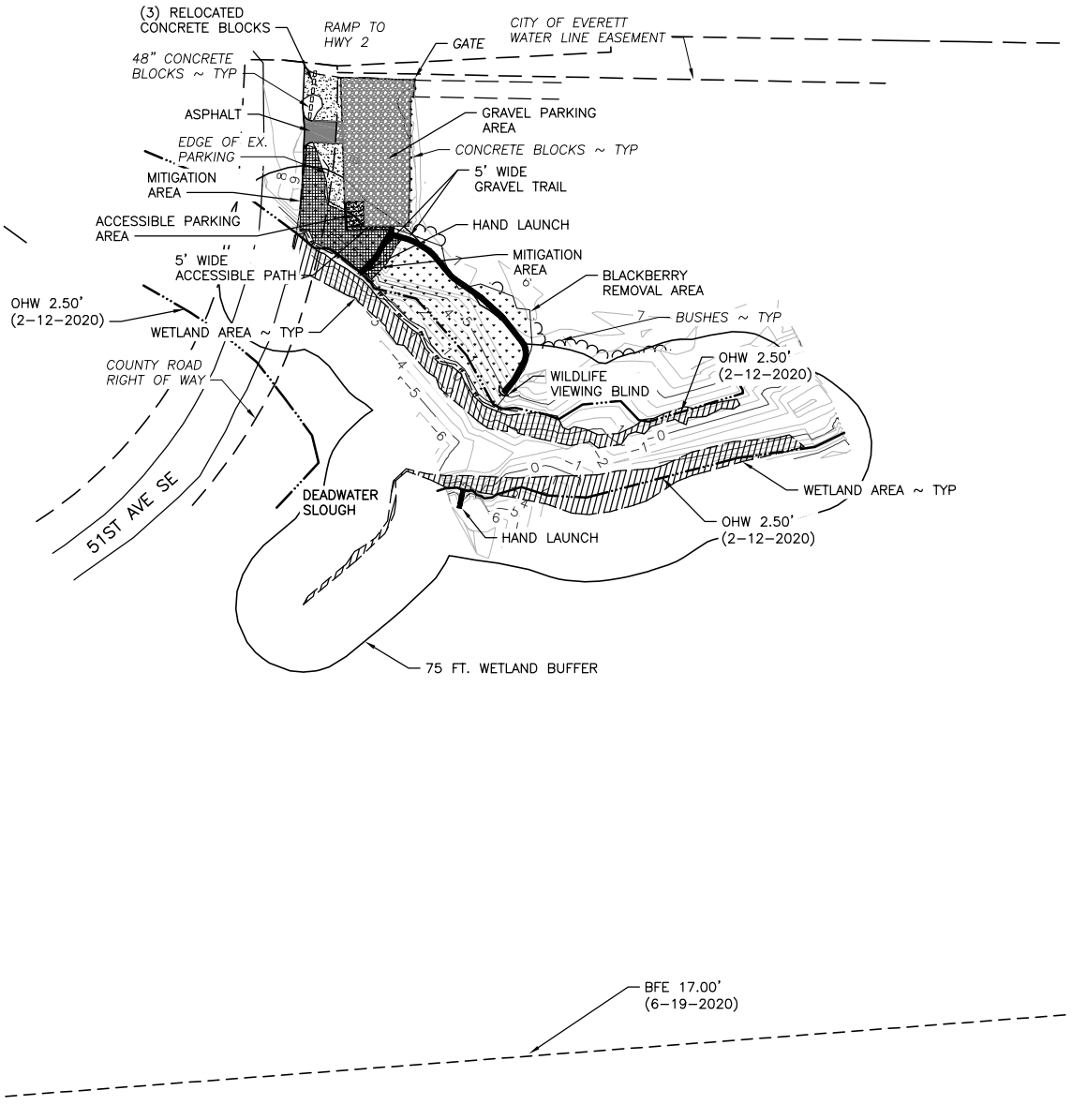
WASHINGTON DEPT. of FISH & WILDLIFE
PROPOSED PROJECT:

EBEY ISLAND ACCESS PROJECT

LOCATION: EVERETT, WA

SHEET 4 OF 14

DATE: 05/10/2021



OVERALL SITE AREA PLAN

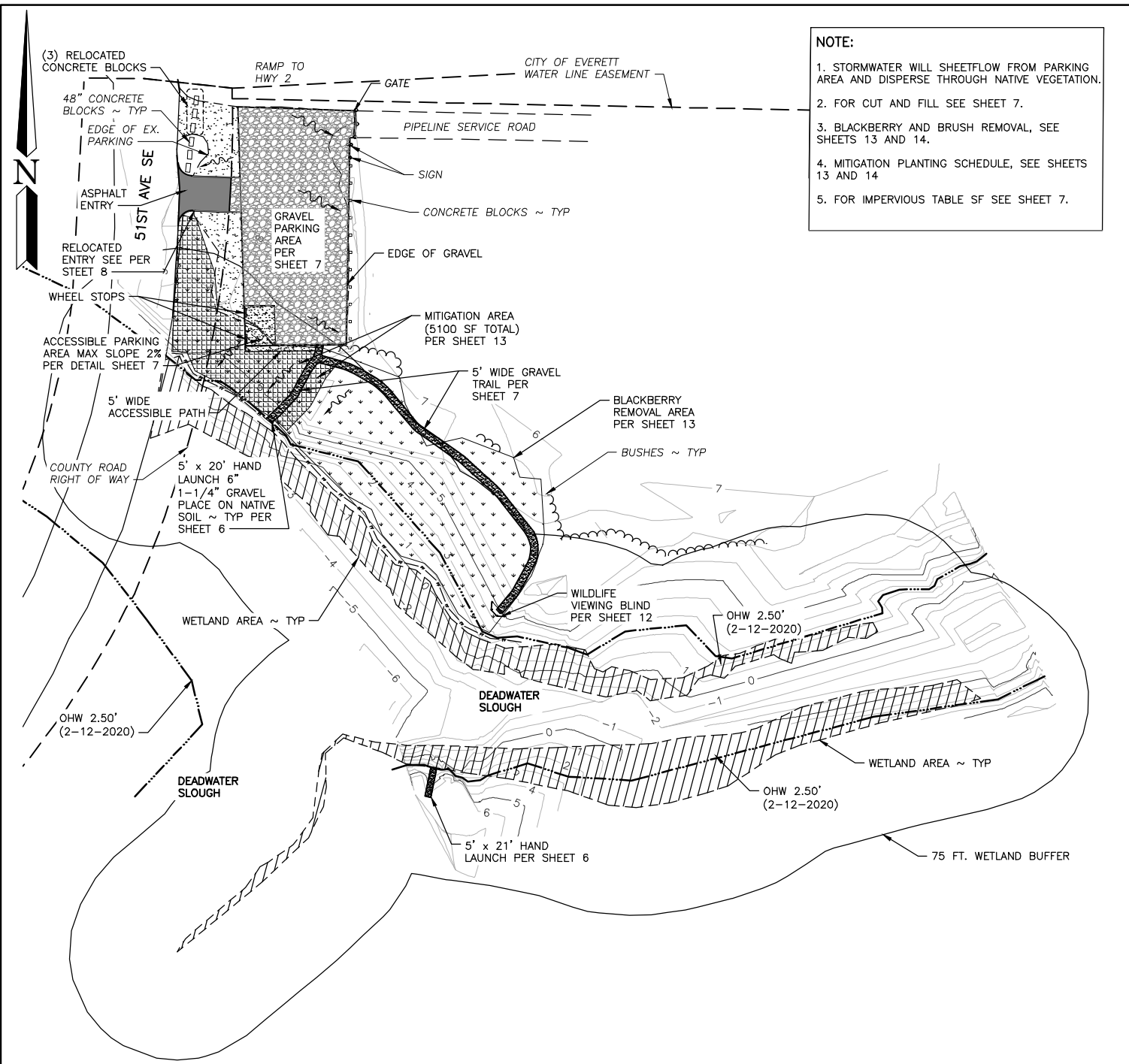
SCALE: 1" = 200'



SCALE: 1" = 200'

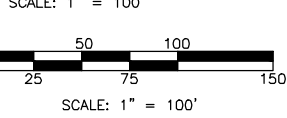
- SHEETFLOW
- GRAVEL
- CSBC
- WETLAND AREA
- BLACKBERRY REMOVAL AREA
- ASPHALT
- MITIGATION AREA

REFERENCE NUMBER:
 APPLICANT NAME:
 WASHINGTON DEPT. of FISH & WILDLIFE
 PROPOSED PROJECT:
 EBHEY ISLAND ACCESS PROJECT
 LOCATION: EVERETT, WA
 SHEET 5 OF 14 DATE: 05/10/2021



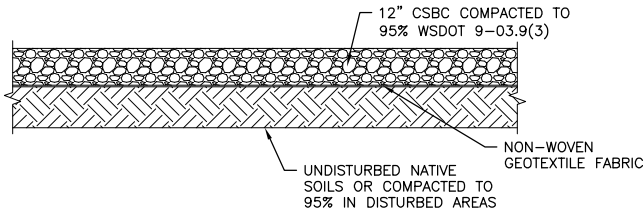
- NOTE:**
1. STORMWATER WILL SHEETFLOW FROM PARKING AREA AND DISPERSE THROUGH NATIVE VEGETATION.
 2. FOR CUT AND FILL SEE SHEET 7.
 3. BLACKBERRY AND BRUSH REMOVAL, SEE SHEETS 13 AND 14.
 4. MITIGATION PLANTING SCHEDULE, SEE SHEETS 13 AND 14
 5. FOR IMPERVIOUS TABLE SF SEE SHEET 7.

SITE PLAN



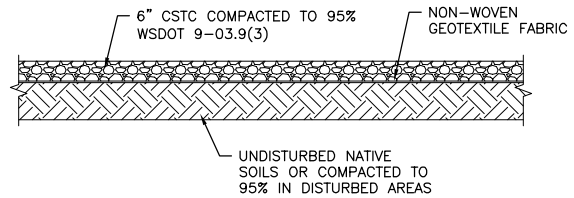
- SHEETFLOW
- GRAVEL
- CSBC
- WETLAND AREA
- BLACKBERRY REMOVAL AREA
- ASPHALT
- MITIGATION AREA

REFERENCE NUMBER:
 APPLICANT NAME:
 WASHINGTON DEPT. of FISH & WILDLIFE
 PROPOSED PROJECT:
 EBNEY ISLAND ACCESS PROJECT
 LOCATION: EVERETT, WA
 SHEET 6 OF 14 DATE: 05/10/2021



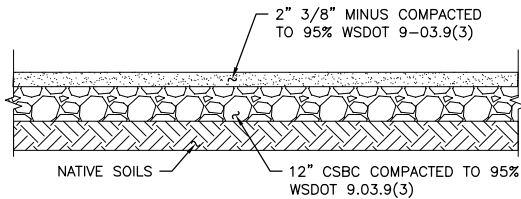
GRAVEL PARKING DETAIL

NOT TO SCALE



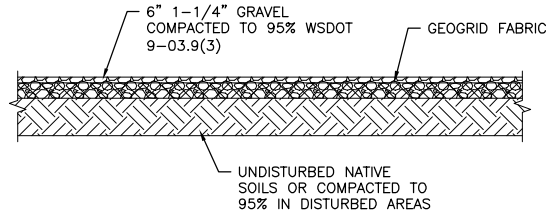
GRAVEL PATH DETAIL

NOT TO SCALE



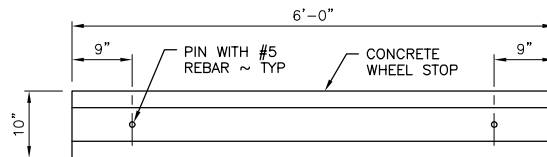
ACCESS PARKING AND PATH DETAIL

NOT TO SCALE

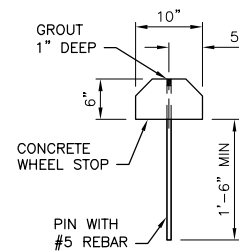


GRAVEL HAND LAUNCH DETAIL

NOT TO SCALE



PLAN



SECTION

CONCRETE WHEEL STOP

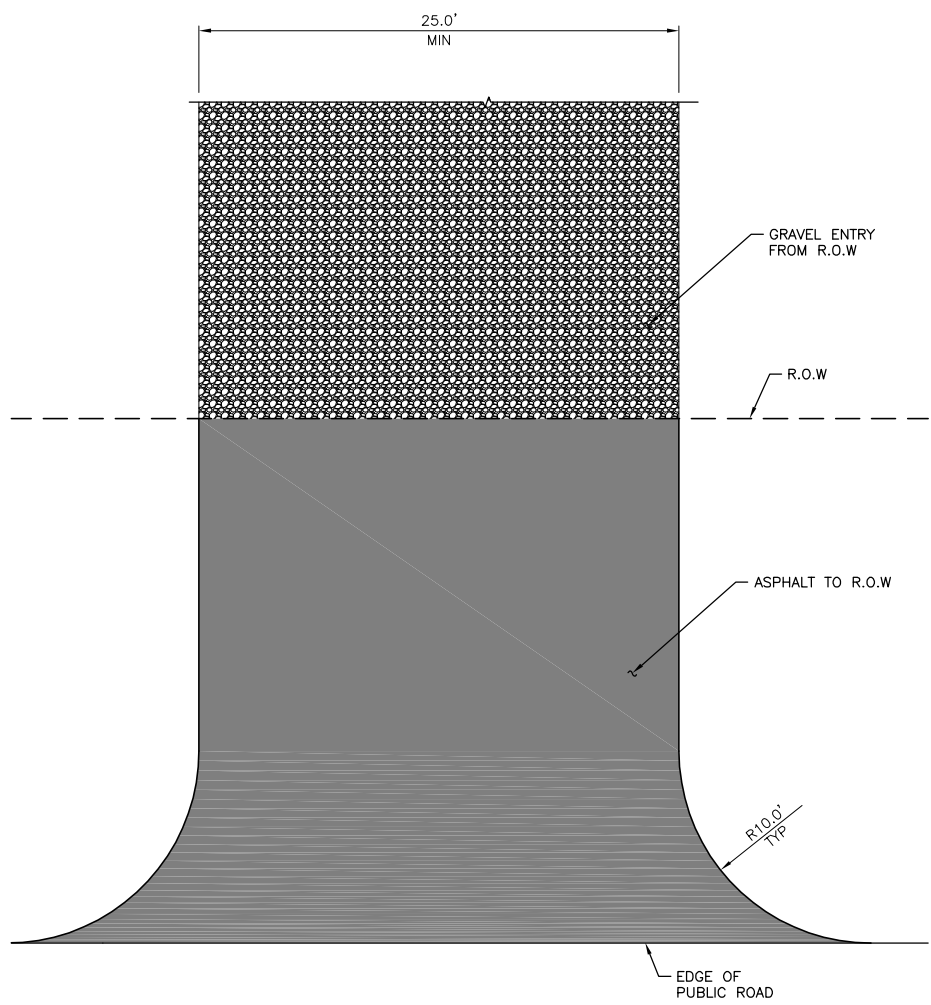
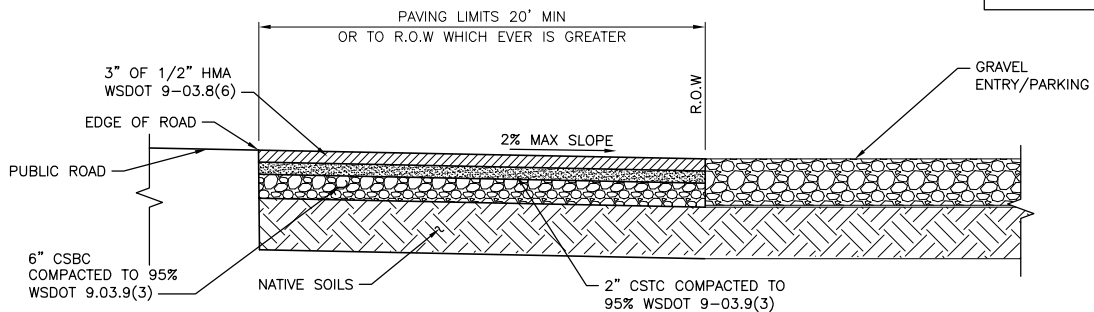
NOT TO SCALE

IMPERVIOUS SURFACING			
AREA	EXISTING (SF)	+/- CHANGE	PROPOSED
HOG FUEL PARKING AND ENTRY	15,886 SF	-12,331 SF	3,555 SF
GRAVEL PARKING	-	+10,904 SF	10,904 SF
GRAVEL ENTRY	-	+446 SF	446 SF
HMA ENTRY	-	+593 SF	593 SF
		+292 SF	292 SF
ACCESSIBLE GRAVEL PARKING	-	+388 SF	388 SF
		+196 SF (NEW)	196 SF
ACCESSIBLE GRAVEL PATH	-	+194 SF	194 SF
GRAVEL PATH	-	+1,481 SF	1,481 SF
HAND LAUNCH	-	+ 205 SF	205 SF
VIEWING BLIND	-	+45 SF	45 SF
TOTALS	15,886 SF	-	18,299 SF
PERCENT CHANGE		15.20% INCREASE	

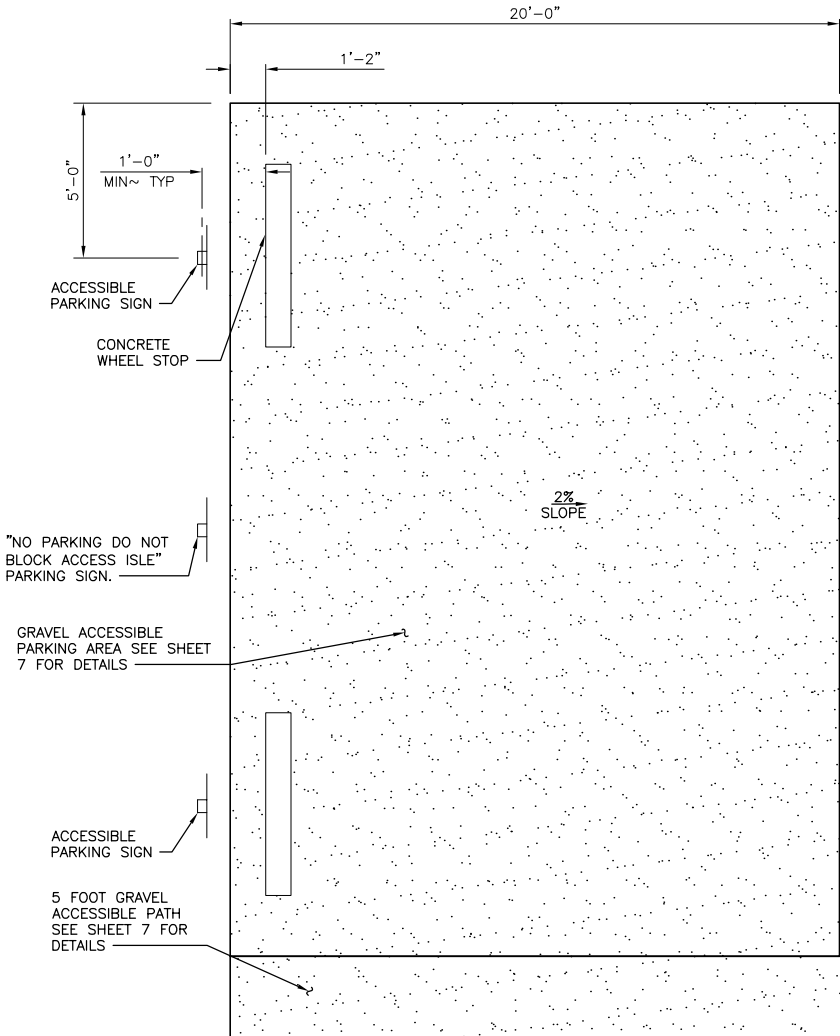
CUT AND FILL DATA				
SITE	CUT ABOVE OHW	CUT BELOW OHW	FILL ABOVE OHW	FILL BELOW OHW
PARKING AREA	398 CY	0 CY	389 CY	0 CY
ENTRY	16 CY	0 CY	16 CY	0 CY
ACCESS PARKING	26 CY	0 CY	26 CY	0 CY
ACCESS PATH	4.2 CY	0 CY	4.2 CY	0 CY
PATH	23 CY	0 CY	23 CY	0 CY
HAND LAUNCH	7.0 CY	0 CY	3.8 CY	0 CY

REFERENCE NUMBER:
 APPLICANT NAME:
 WASHINGTON DEPT. of FISH & WILDLIFE
 PROPOSED PROJECT:
 EBHEY ISLAND ACCESS PROJECT
 LOCATION: EVERETT, WA
 SHEET 7 OF 14 DATE: 05/10/2021

NOTE:
 ALL SURFACE DRAINAGE FROM DRIVEWAY MUST BE CONTAINED AND DIRECTED FROM DRIVEWAY. NO SURFACE DRAINAGE SHALL FLOW ONTO THE COUNTY ROAD

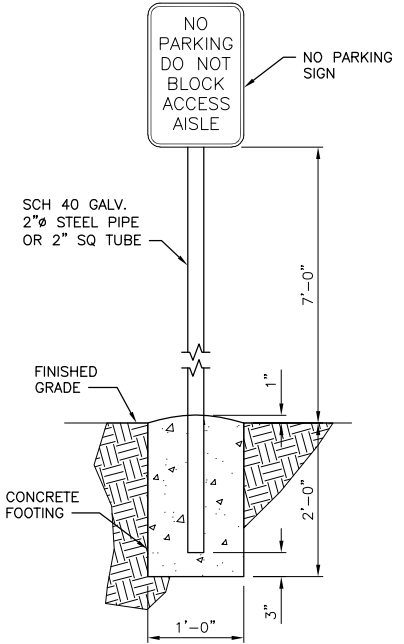


REFERENCE NUMBER:
 APPLICANT NAME:
 WASHINGTON DEPT. of FISH & WILDLIFE
 PROPOSED PROJECT:
 EBHEY ISLAND ACCESS PROJECT
 LOCATION: EVERETT, WA
 SHEET 8 OF 14 DATE: 05/10/2021



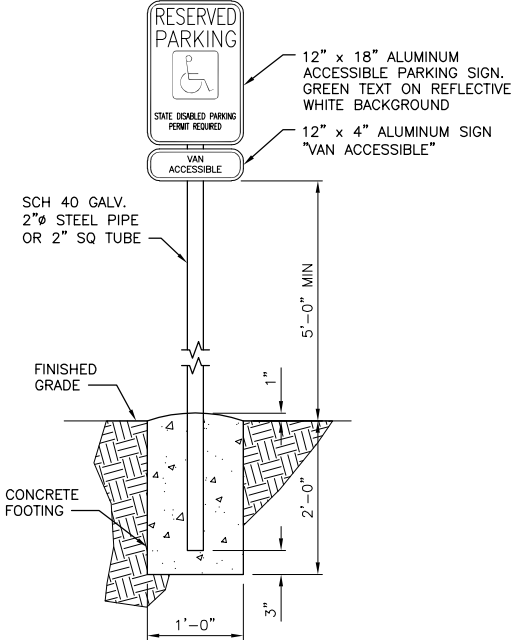
VAN ACCESSIBLE PARKING AREA

NOT TO SCALE
NOTE: 2% MAXIMUM SLOPE IN ALL DIRECTIONS.



NO PARKING SIGN

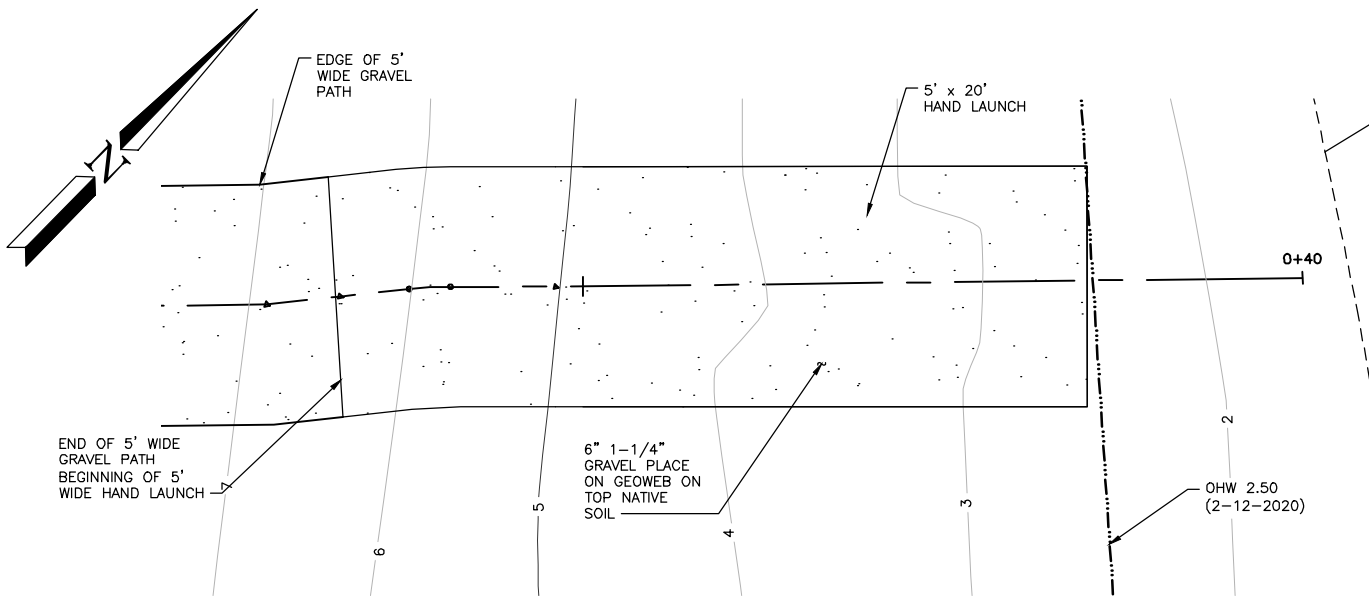
NOT TO SCALE
NOTE: USE TAMPER RESISTANT NUTS TO ATTACH SIGNS TO POST.



ACCESSIBLE PARKING SIGN

NOT TO SCALE
NOTE: USE TAMPER RESISTANT NUTS TO ATTACH SIGNS TO POST.

REFERENCE NUMBER:
APPLICANT NAME:
WASHINGTON DEPT. of FISH & WILDLIFE
PROPOSED PROJECT:
EBEY ISLAND ACCESS PROJECT
LOCATION: EVERETT, WA
SHEET 9 OF 14 DATE: 02/05/221

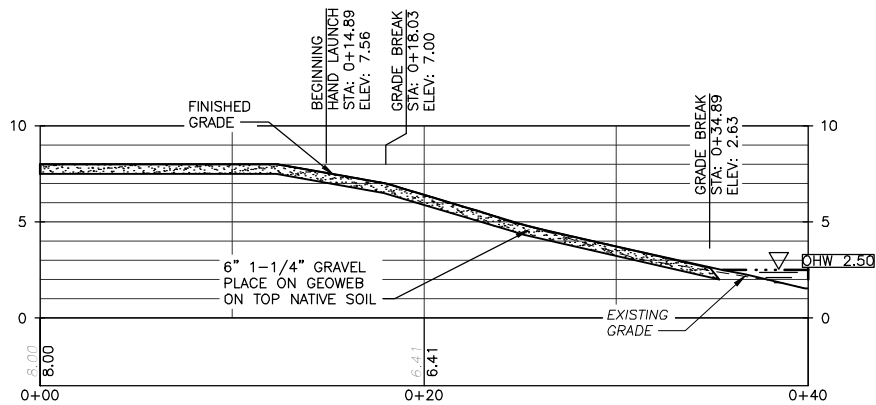


NORTH HAND LAUNCH

SCALE: 1" = 10'



SCALE: 1" = 10'



NORTH HAND LAUNCH PROFILE

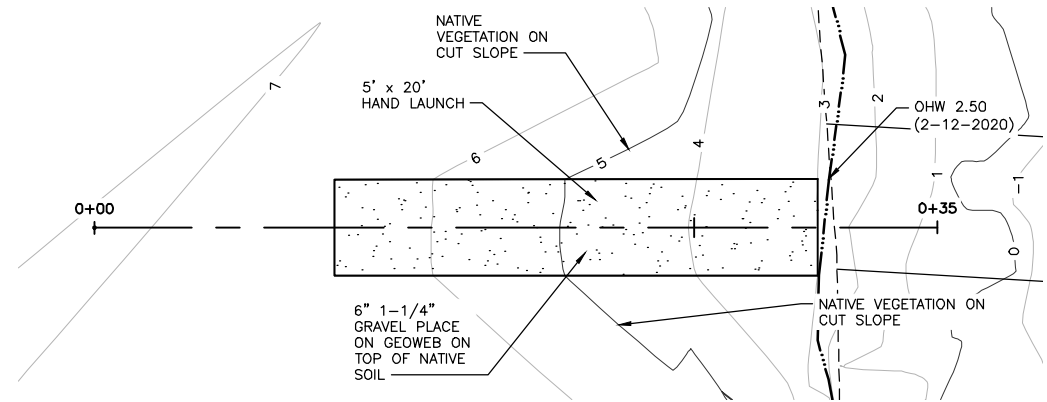
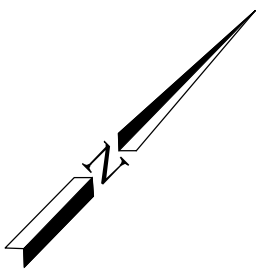
SCALE: 1" = 10'



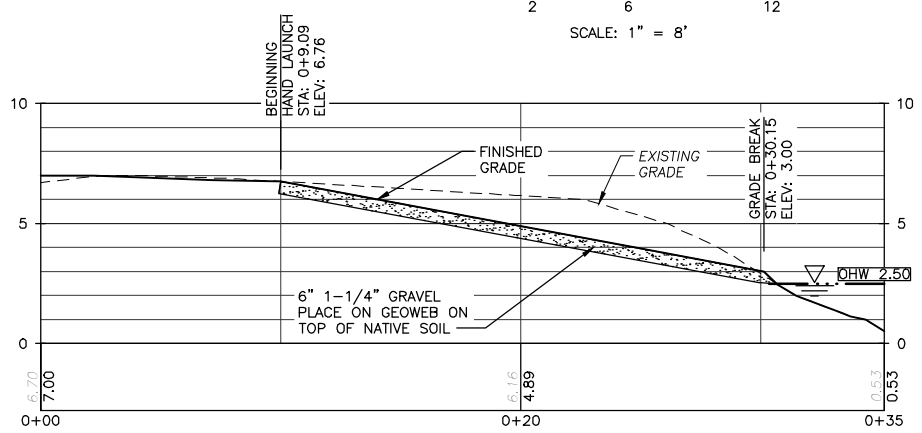
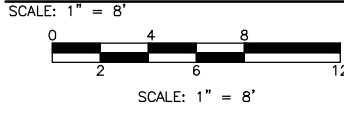
SCALE: 1" = 10'

APPROX. QUANTITIES		
AREA	MATERIAL	AMOUNT
PARKING	CSBC	398 CY
ENTRY	CSBC	8 CY
ENTRY	HMA	8 CY
ACCESS PARKING	CSBC	22 CY
ACCESS PARKING	3/8" MINUS	3.6 CY
ACCESS PATH	3/8" MINUS	0.6 CY
ACCESS PATH	CSBC	3.6 CY
PATH	1-1/4" GRAVEL	23 CY
SOUTH HAND LAUNCH	GRAVEL 1-1/4" MINUS	1.9 CY
NORTH HAND LAUNCH	GRAVEL 1-1/4" MINUS	1.9 CY

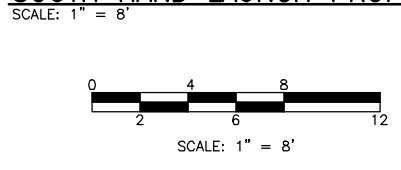
REFERENCE NUMBER:
 APPLICANT NAME:
 WASHINGTON DEPT. of FISH & WILDLIFE
 PROPOSED PROJECT:
 EBEBY ISLAND ACCESS PROJECT
 LOCATION: EVERETT, WA
 SHEET 10 OF 14 DATE: 05/10/2021



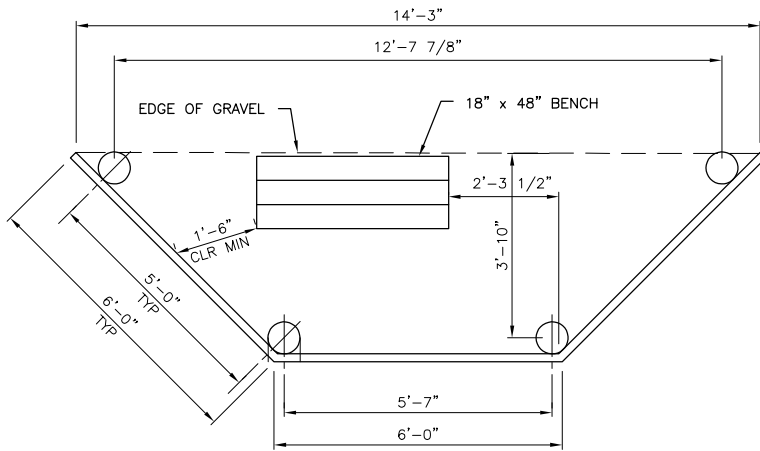
SOUTH HAND LAUNCH



SOUTH HAND LAUNCH PROFILE

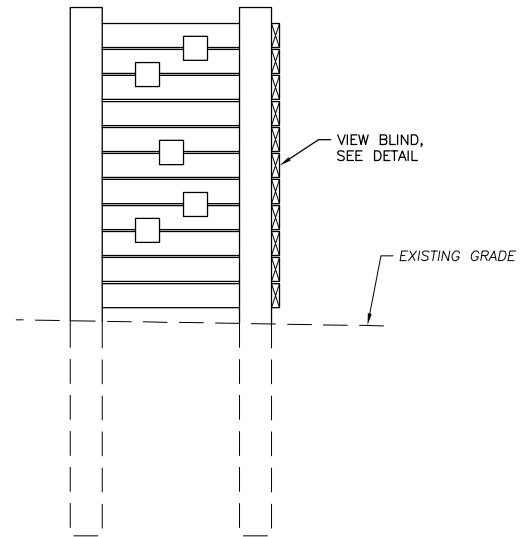


REFERENCE NUMBER:
 APPLICANT NAME:
 WASHINGTON DEPT. of FISH & WILDLIFE
 PROPOSED PROJECT:
 EBEOY ISLAND ACCESS PROJECT
 LOCATION: EVERETT, WA
 SHEET 11 OF 14 DATE: 05/10/2021



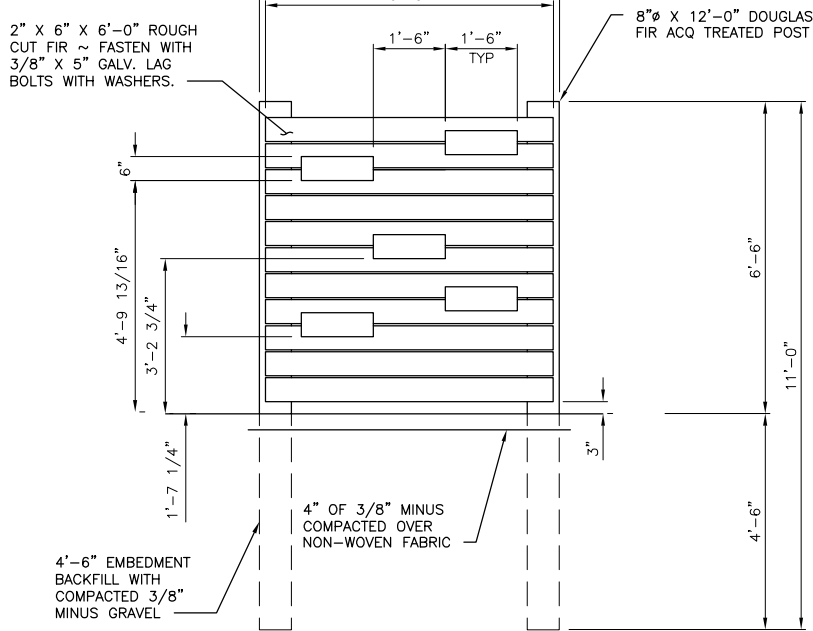
PLAN VIEW

SCALE: 1/4" = 1'-0"



SECTION

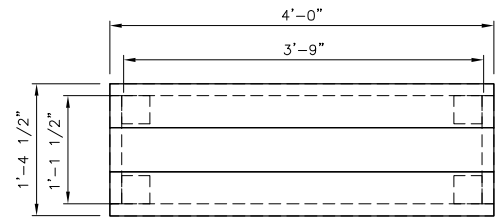
SCALE: 1/4" = 1'-0"



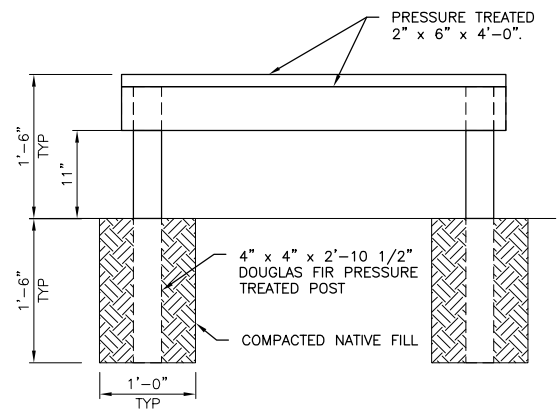
TYPICAL ELEVATION

VIEW BLIND

SCALE: 1/4" = 1'-0"



PLAN

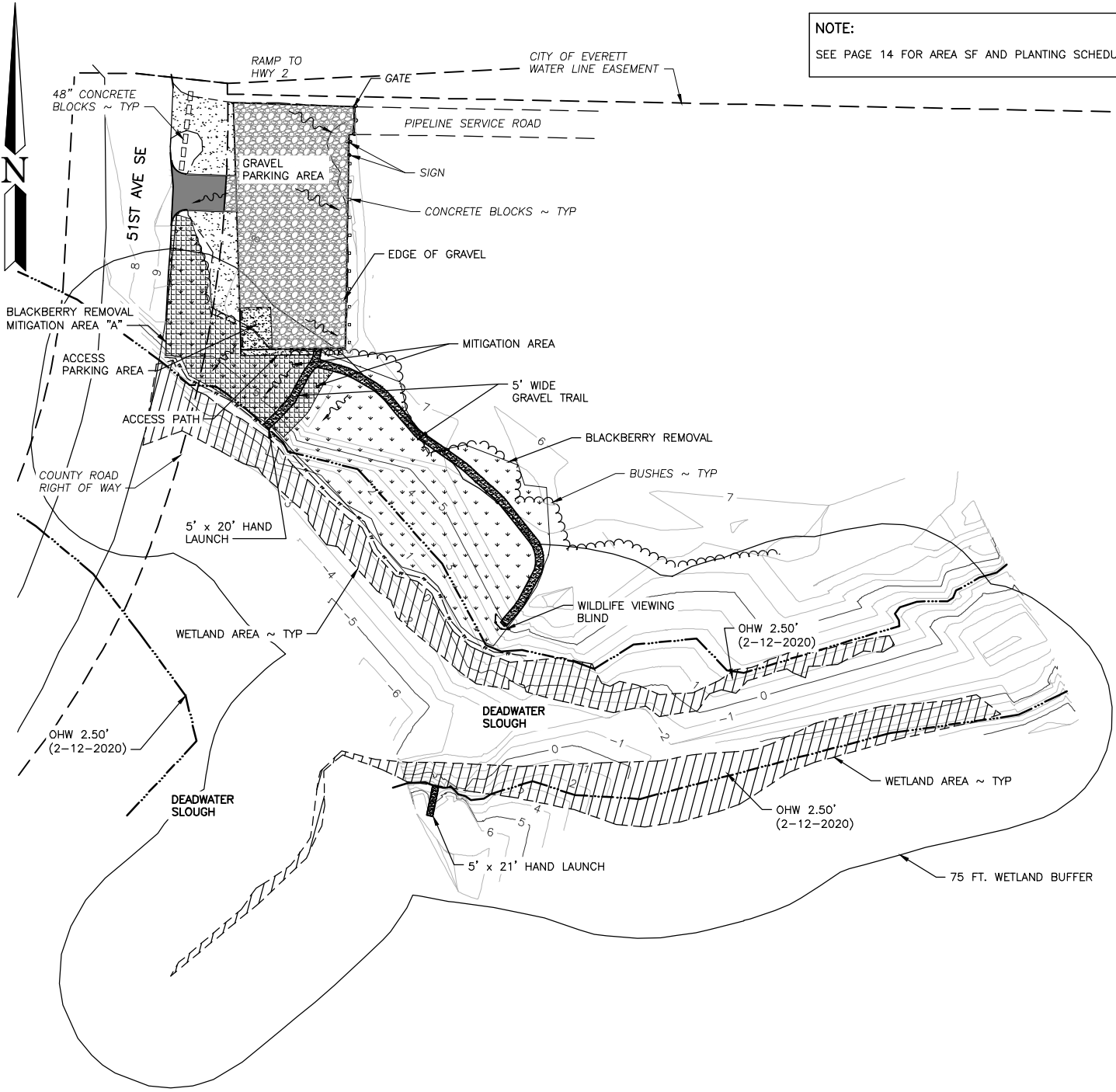


TYPICAL ELEVATION

WOODEN BENCH

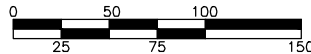
SCALE: 1/2" = 1'-0"

NOTE:
SEE PAGE 14 FOR AREA SF AND PLANTING SCHEDULE.



MITIGATION SITE PLAN

SCALE: 1" = 100'



SCALE: 1" = 100'

- LEGEND**
- SHEETFLOW
 - GRAVEL
 - WETLAND AREA
 - BLACKBERRY REMOVAL AREA
 - MITIGATION AREA

REFERENCE NUMBER:
 APPLICANT NAME:
 WASHINGTON DEPT. of FISH & WILDLIFE
 PROPOSED PROJECT:
 EBOY ISLAND ACCESS PROJECT
 LOCATION: EVERETT, WA
 SHEET 13 OF 14 DATE: 05/10/2021

EBEY ISLAND DEVELOPMENT—MITIGATION AND PLANTING

MITIGATION AREA – 5,100 SF

HIMALAYAN BLACKBERRY REMOVED

PLANTING

TYPE	REMARKS
EROSION CONTROL GRASS SEED MIX	DISPERSE AT RATE INDICATED BY MANUFACTURER'S RECOMMENDATIONS TO COVER BARE SOIL
FINE BARK MULCH	COVER BARE SOIL AREA TO A DEPTH OF TWO INCHES

REFERENCE NUMBER:
 APPLICANT NAME:
 WASHINGTON DEPT. of FISH & WILDLIFE
 PROPOSED PROJECT:
 EBEY ISLAND ACCESS PROJECT
 LOCATION: EVERETT, WA
 SHEET 14 OF 14 DATE: 05/10/2021